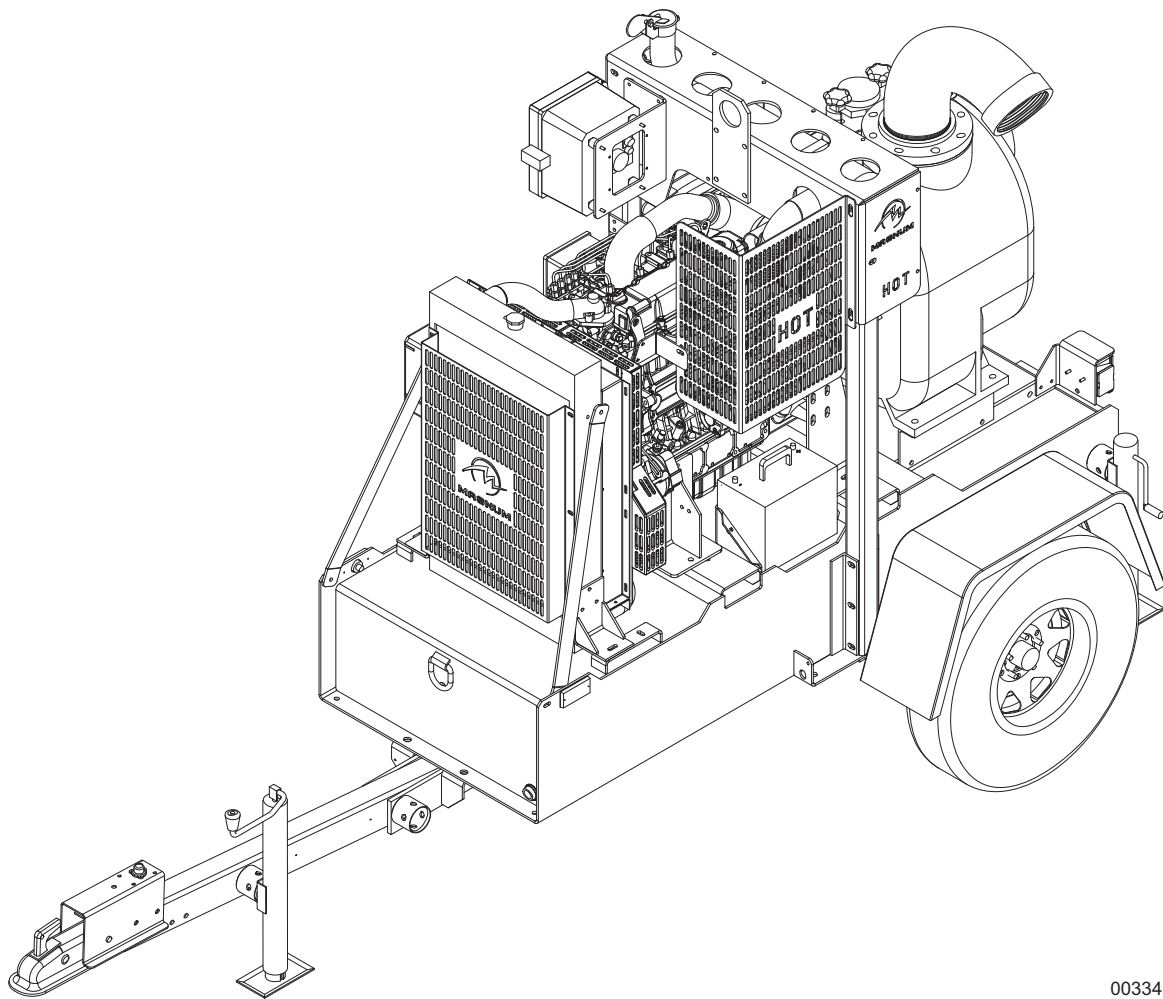


GENERAC®

**MOBILE
PRODUCTS**

**SELF-PRIME DIESEL TRASH PUMP
MTP6000SKI4P**



00334

PARTS MANUAL

Introduction

This parts manual was prepared based on the information available at the time of publication and is subject to change without notice. Generac Mobile Products reserves the right to change parts at any time. To check whether a revised parts manual is available, contact Generac Mobile Products.

DO NOT MODIFY or use this equipment for any application other than which it was designed for. To keep your equipment fully operational, it is suggested you maintain a stock of commonly used maintenance or service parts. A recommended spare parts list can be found in the back of this manual. To order service parts, please go to www.generacmobile.com or call Generac Mobile Products.

▲ WARNING

Before operating or servicing this equipment, read and understand the Generac Operating Manual which was included with the unit when shipped from the factory. Failure to do so increases the risk of injury to yourself or others.

Generac Mobile Products LLC
215 Power Drive • Berlin, WI 54923 U.S.A.
Phone: 920-361-4442
FAX: 920-361-4416
Toll Free: 1-800-926-9768
www.generacmobile.com

For technical or parts QUESTIONS, please contact the Generac Mobile Products Customer Support or Technical Support team at 1-800-926-9768.

Engine Make: _____
Engine Serial Number: _____
Engine Model Number: _____
Pump Make: _____
Pump Model Number: _____
Pump Serial Number: _____
Unit Model Number: _____
Unit Serial Number: _____

▲ WARNING

CALIFORNIA PROPOSITION 65 WARNING: Diesel engine exhaust and some of its constituents are known to the state of California to cause cancer, birth defects and other reproductive harm.

▲ WARNING

CALIFORNIA PROPOSITION 65 WARNING: This products contains or emits chemicals known to the state of California to cause cancer, birth defects, and other reproductive harm.

Table of Contents

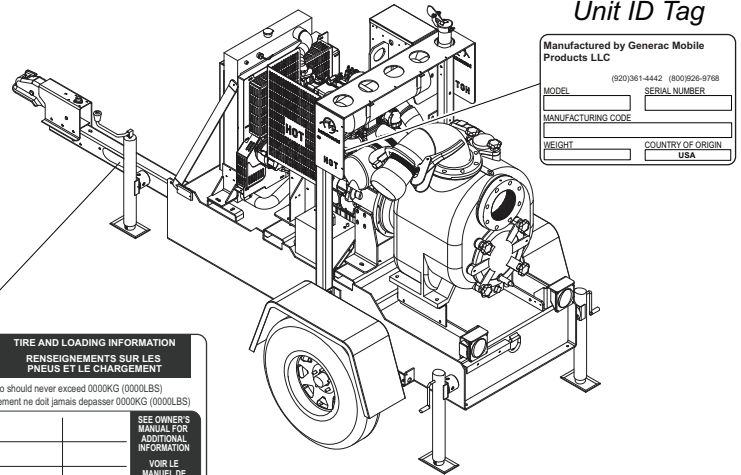
Introduction	ii
Parts Manual Instructions.....	1
Unit Decals - Rear and Left Side	2
Unit Decals - Front and Right Side	3
Control Box Assembly	4
Air Filter Assembly.....	6
Exhaust System Assembly	8
Cooling System Assembly	10
Engine and Pump to Skid	12
Engine Assembly - Right Side	14
Engine Assembly - Left Side	16
Hotstart Kit Option	18
Pump Assembly.....	20
Inlet and Outlet Fitting Options	22
Lift Structure Assembly.....	24
Skid Assembly	26
Fuel Tank Assembly	28
Trailer Assembly	30
Axle Assembly	32
Trailer Brake Lines	34
Recommended Spare Parts List.....	36

This Page Intentionally Left Blank

Parts Manual Instructions

Product illustrations are only representations. Products supplied may vary from the illustrations in this parts manual. Parts not shown in the illustration are indicated by a double dash (--) in the item column.

Refer to the illustration below to locate the unit ID tag and Vehicle Identification Number (VIN) tag on the unit. Important information, such as the unit serial number, model number, VIN and tire loading information are found on these tags. Record the information from these tags so it is available if the tags are lost or damaged. When ordering parts or requesting assistance, you may be asked to provide this information.



Unit ID Tag

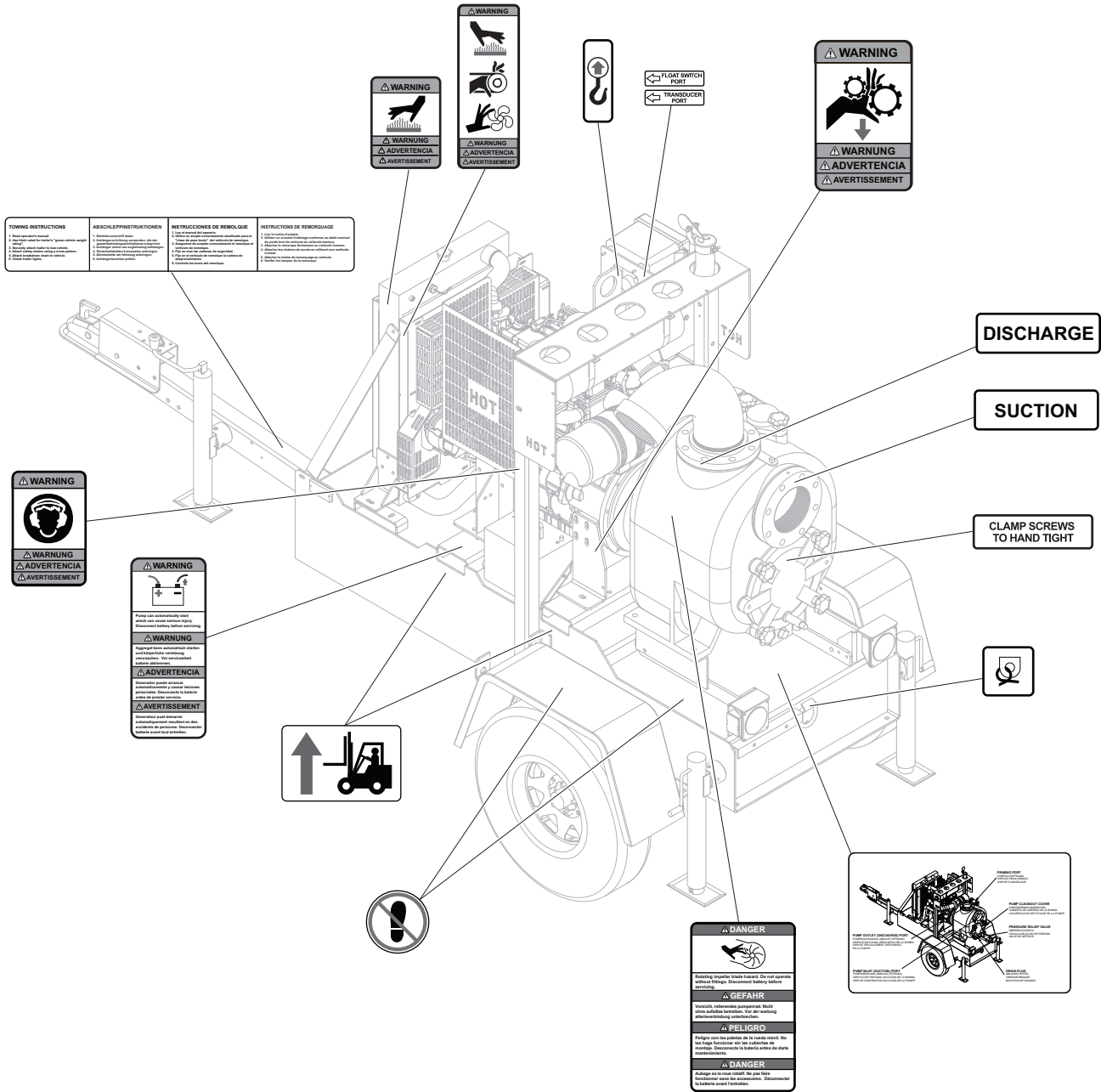
Manufactured by Generac Mobile Products LLC	
(920)381-4442 (800)926-9788	
MODEL	SERIAL NUMBER
MANUFACTURING CODE	
WEIGHT	COUNTRY OF ORIGIN
	USA

Vin Tag

MANUFACTURED BY/FABRIQUE PAR: Generac Mobile Products LLC		DATE: 00/0000	
GVWR/PNBV: 000KG (0000LBS)		COLD INF. PRESS./ PRESS. DE	
GAWR / PNBE	TIRE / PNEU	RIM / JANTE	GONF A FROID - KPA(PSI/LPC) SGL / DUAL
EACH AXLE			
<small>THIS VEHICLE CONFORMS TO ALL APPLICABLE STANDARDS PRESCRIBED UNDER THE U.S. FEDERAL MOTOR VEHICLE SAFETY STANDARDS(PMVS) AND CANADIAN MOTOR VEHICLE SAFETY REGULATIONS IN EFFECT ON THE DATE OF MANUFACTURE. CE VEHICULE EST CONFORME A TOUTES LES NORMES QUI LI SONT APPLICABLES EN VERTU DU REGLEMENT SUR LA SECURITE DES VEHICULES AUTOMOBILES DU CANADA EN VIGUEUR A LA DATE SA FABRICATION.</small>			
V.I.N./N.I.V.: 0000000000000000		MODEL XXX000 TYPE: TRAILER	
		TIRE AND LOADING INFORMATION RENSEIGNEMENTS SUR LES PNEUS ET LE CHARGEMENT The weight of cargo should never exceed 0000KG (0000LBS) Le poids du chargement ne doit jamais dépasser 0000KG (0000LBS)	
		SEE OWNER'S MANUAL FOR ADDITIONAL INFORMATION VOIR LE MANUEL DE L'USAGER POUR PLUS DE RENSEIGNEMENTS	

01536

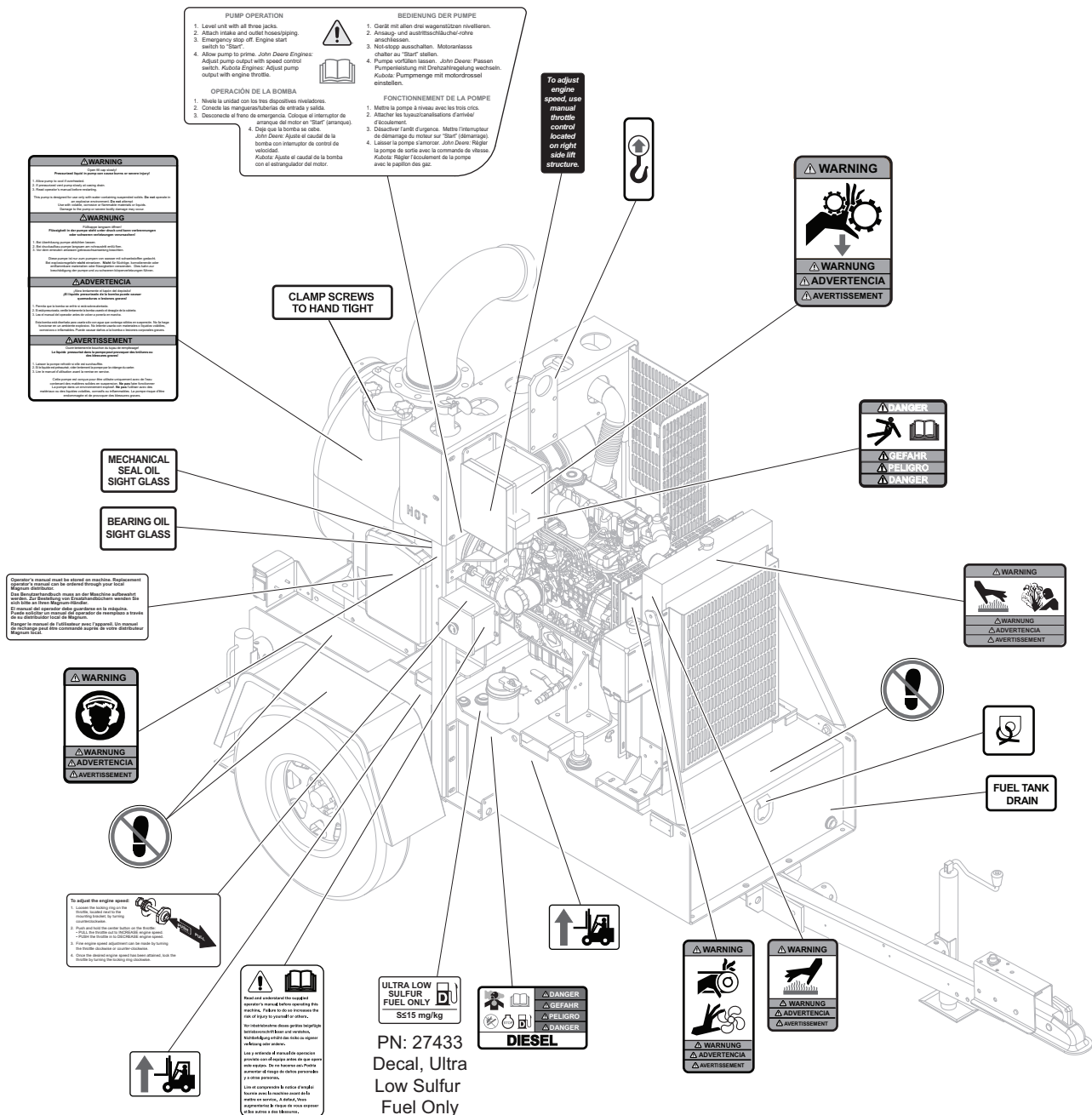
UNIT DECALS - REAR AND LEFT SIDE



01036

Note: All safety and operating decals shown above are located on decal sheet 49531, unless otherwise noted.

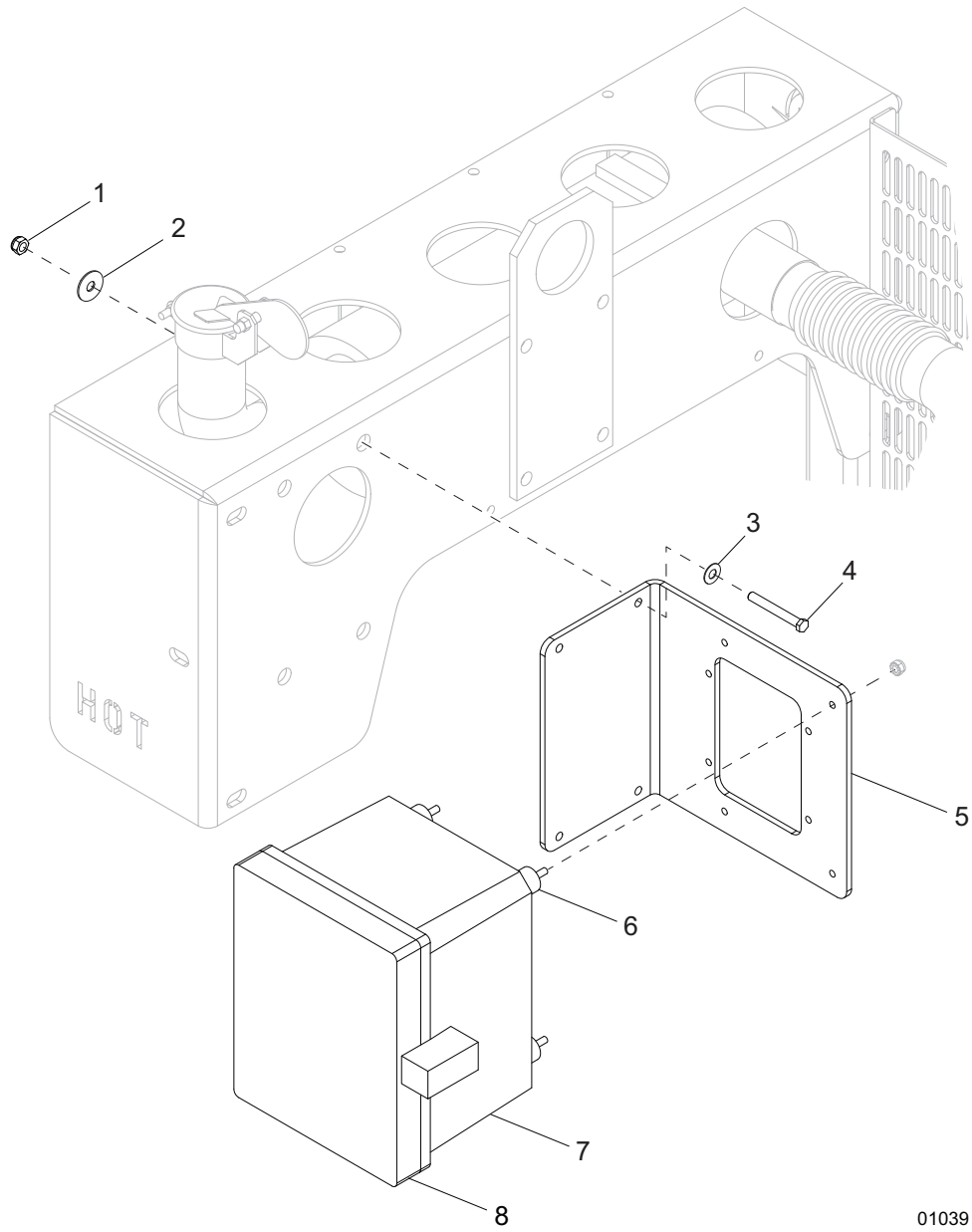
UNIT DECALS - FRONT AND RIGHT SIDE



Note: All safety and operating decals shown above are located on decal sheet 49531, unless otherwise noted.

01037

CONTROL BOX ASSEMBLY



01039

CONTROL BOX ASSEMBLY

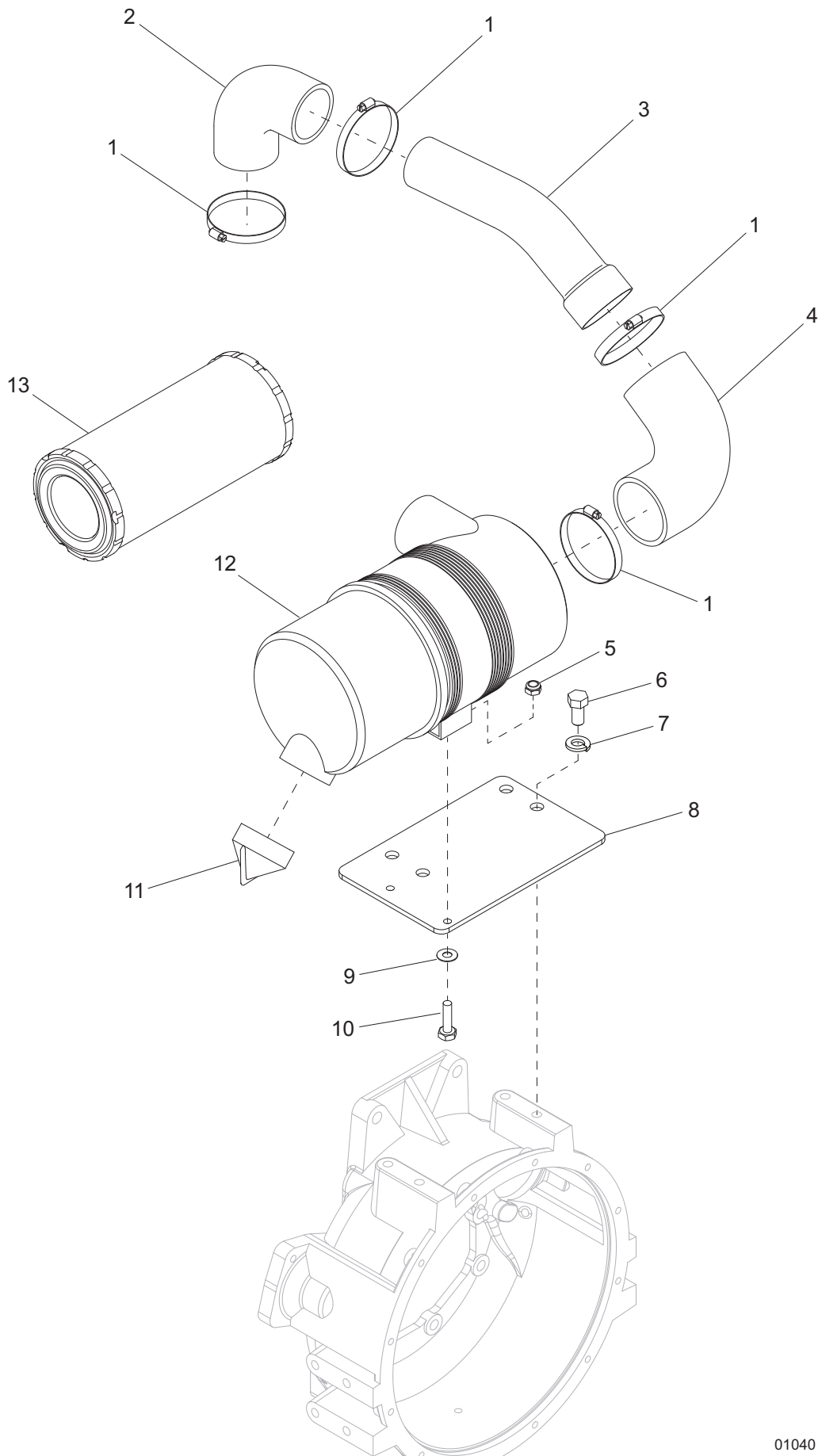
Item	Part No.	Qty	Description	Notes
1	60303	4	Nut, .312-18 nylock, G2	
2	60729	4	Washer, .375 fender - 1.50/.090	
3	60119	4	Washer, .312 flat .875/.070	
4	62001	4	Screw, .312-18 x 1.25 std hex, G5	
5	49494B	1	Bracket, control box mounting	
6	41143	4	Isolator, rubber	Included with control box assembly
7	33705	1	Controller, programmed	
8	33896	1	Cover, control box	
--	49489	1	Assembly, control box w/controller (LOFA750)	
--	30524	1	Harness, engine	

OPTIONAL FEATURES

Float Switch:

--	41560	1	Switch, float - N.O. 50 ft cord
--	41581	1	Assembly, float switch
--	49607	1	Harness, adapter - LOFA float switch

AIR FILTER ASSEMBLY

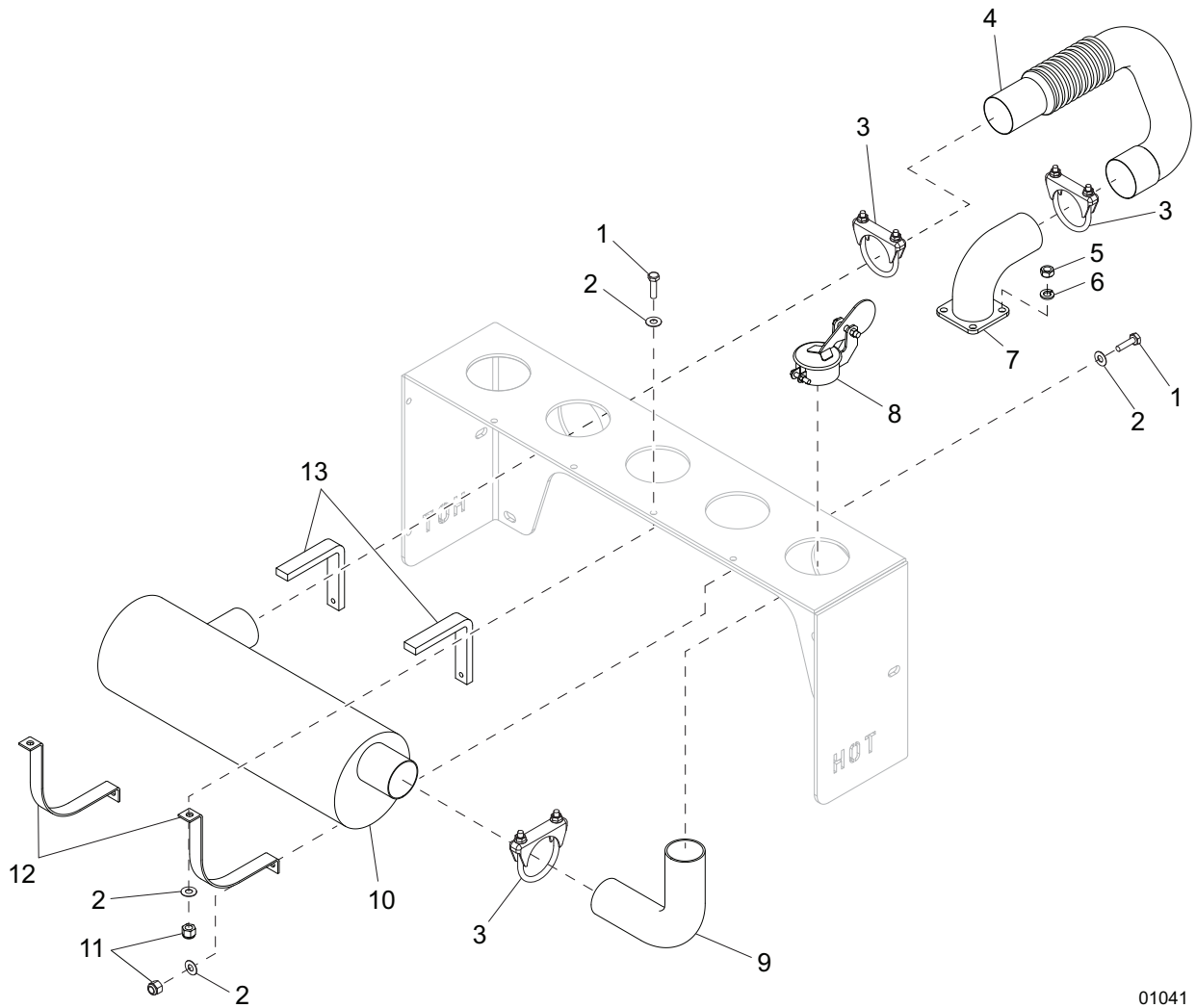


01040

AIR FILTER ASSEMBLY

Item	Part No.	Qty	Description	Notes
1	18663	4	Clamp, hose - SAE 060 (3.31-4.25)	
2	32037	1	Elbow, 90° - 2.5 ID molded rubber	
3	32069B	1	Pipe, air filter intake	
4	28446	1	Elbow, 90° - 3.0 ID molded rubber	
5	60303	2	Nut, .312-18 nylock, G2	
6	60275	4	Screw, .500-13 x 1.0 std hex, G5	
7	60276	4	Washer, .500 split lock	
8	32071B	1	Plate, air filter	
9	60119	2	Washer, .312 flat .875/.070	
10	60028	2	Screw, .312-18 x 1.0 std hex, G5	
11	19277	1	Cap, dust ejector	Included with air filter
12	22967	1	Filter, air	
13	22874	1	Element, air filter	

EXHAUST SYSTEM ASSEMBLY

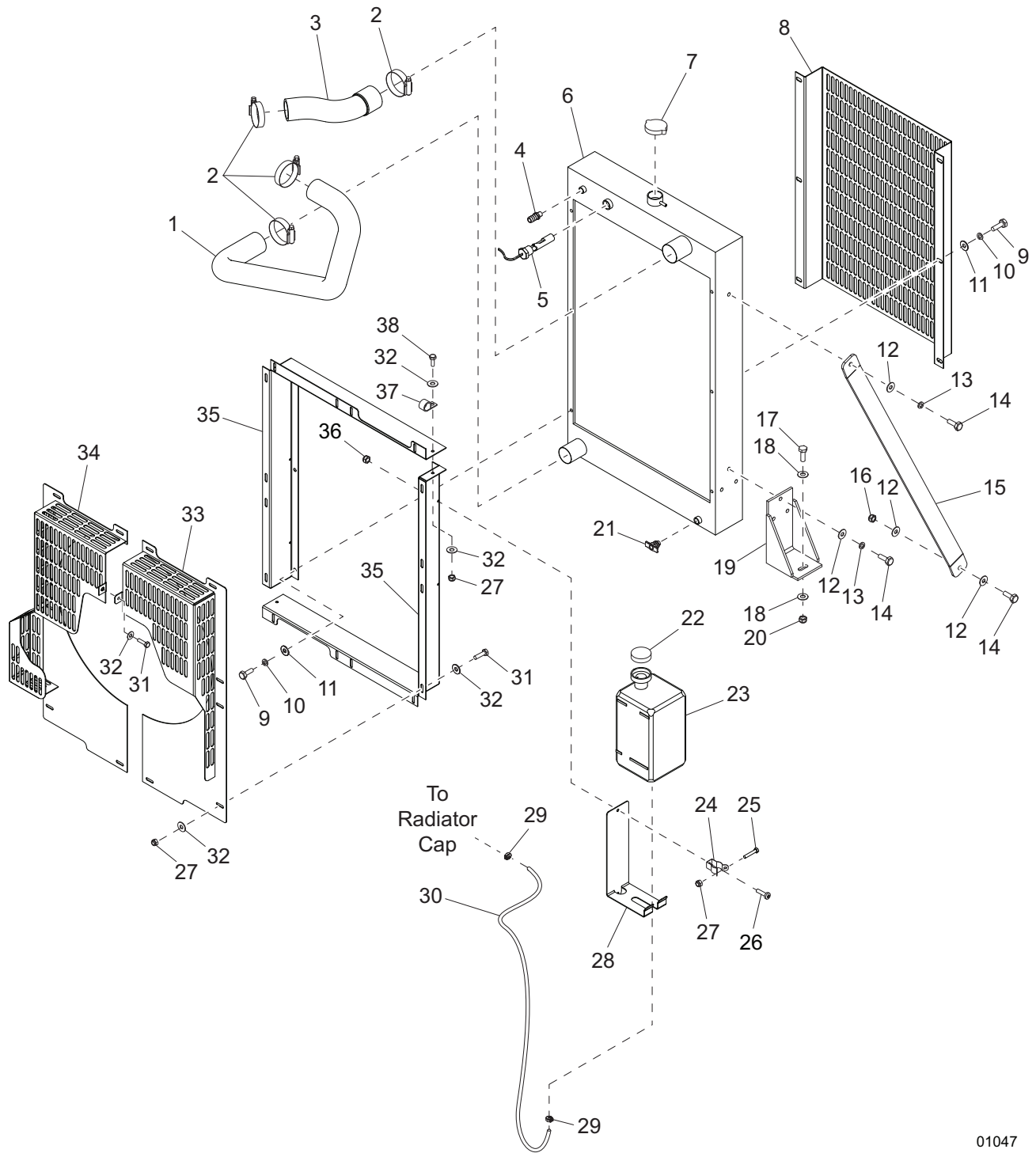


01041

EXHAUST SYSTEM ASSEMBLY

Item	Part No.	Qty	Description	Notes
1	60352	4	Screw, .375-16 x 1.25 std hex, G5	
2	60386	8	Washer, .375 flat .993/.064	
3	61028	3	Clamp, muffler - 2.50 in. light duty	
4	33590B	1	Pipe, exhaust	
5	60344	4	Nut, M10-1.25 hex, SS	
6	60026	4	Washer, M10 split lock	
7	33589B	1	Pipe, exhaust	
8	25647B	1	Cap, rain - 2.50 in	
9	41132B	1	Pipe, exhaust - 90°, 2.50 OD	
10	22670	1	Muffler, residential	
11	60358	4	Nut, .375-16 nylock, G5	
12	41082B	2	Bracket, muffler	
13	41083B	2	Spacer, muffler	

COOLING SYSTEM ASSEMBLY

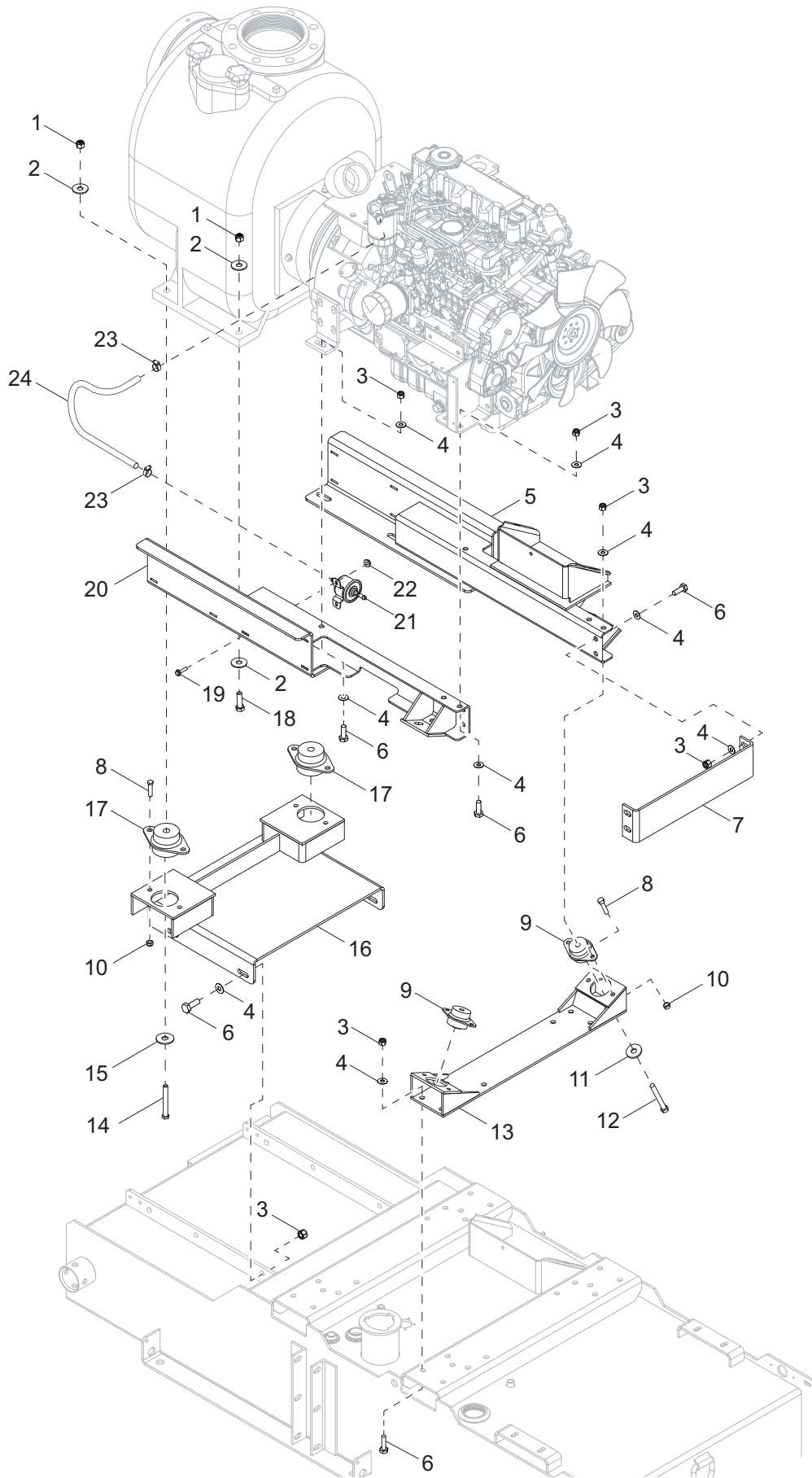


01047

COOLING SYSTEM ASSEMBLY

Item	Part No.	Qty	Description	Notes
1	30494	1	Hose, lower radiator	
2	60316	4	Clamp, hose - SAE 032 (1.56-2.50)	
3	30493	1	Hose, radiator - upper	
4	60776	1	Fitting, plug - .250NPT hex, brs	
5	30942	1	Assembly, low coolant switch/harness	
6	41257	1	Radiator	
7	19219	1	Cap, radiator pressure - 14.7 psi	
8	41040R	1	Guard, rock	
9	60028	12	Screw, .312-18 x 1.0 std hex, G5	
10	60271	12	Washer, .312 split lock	
11	60119	12	Washer, .312 flat .875/.070	
12	60386	12	Washer, .375 flat .993/.064	
13	60206	8	Washer, .375 split lock	
14	60205	10	Screw, .375-16 x 1.0 std hex, G5	
15	33527B	2	Strut, radiator support	
16	60358	4	Nut, .375-16 nylock, G5	
17	60388	2	Screw, .500-13 x 1.50 std hex, G5	
18	60309	4	Washer, .500 flat 1.060/.090	
19	33525B	2	Weldment, radiator mount	
20	62221	2	Nut, .500-13 nylock, G5	
21	63197	1	Fitting, strt - .375MNPT drain cock	
22	19714	1	Cap, overflow jug	
23	41958	1	Jug, overflow - 3.5 qt	
24	19726	1	Clamp, overflow jug	
25	60414	1	Screw, .250-20 x 1.50 std hex, G5	
26	60062	2	Screw, 10-32 x .750 pan phil, G2	
27	60144	17	Nut, .250-20 nylock, G5	
28	41206B	1	Bracket, overflow jug	
29	60777	2	Clamp, hose - .312, crimp style	
30	50018	3.5 ft	Hose, fuel - .312 ID, 50 psi, SAE 30R7	
31	60281	13	Screw, .250-20 x .750 std hex, G5	
32	60243	37	Washer, .250 flat .735/.060	
33	30878B	1	Weldment, fan guard - right	
34	30877B	1	Weldment, fan guard - left	
35	41281B	2	Radiator shroud	
36	60061	2	Nut, 10-32 nylock	
37	16143	1	Clamp, tubing - .500	
38	60393	2	Screw, .250-20 x 1.0 std hex, G5	
--	31022	1	Assembly, radiator	

ENGINE AND PUMP TO SKID

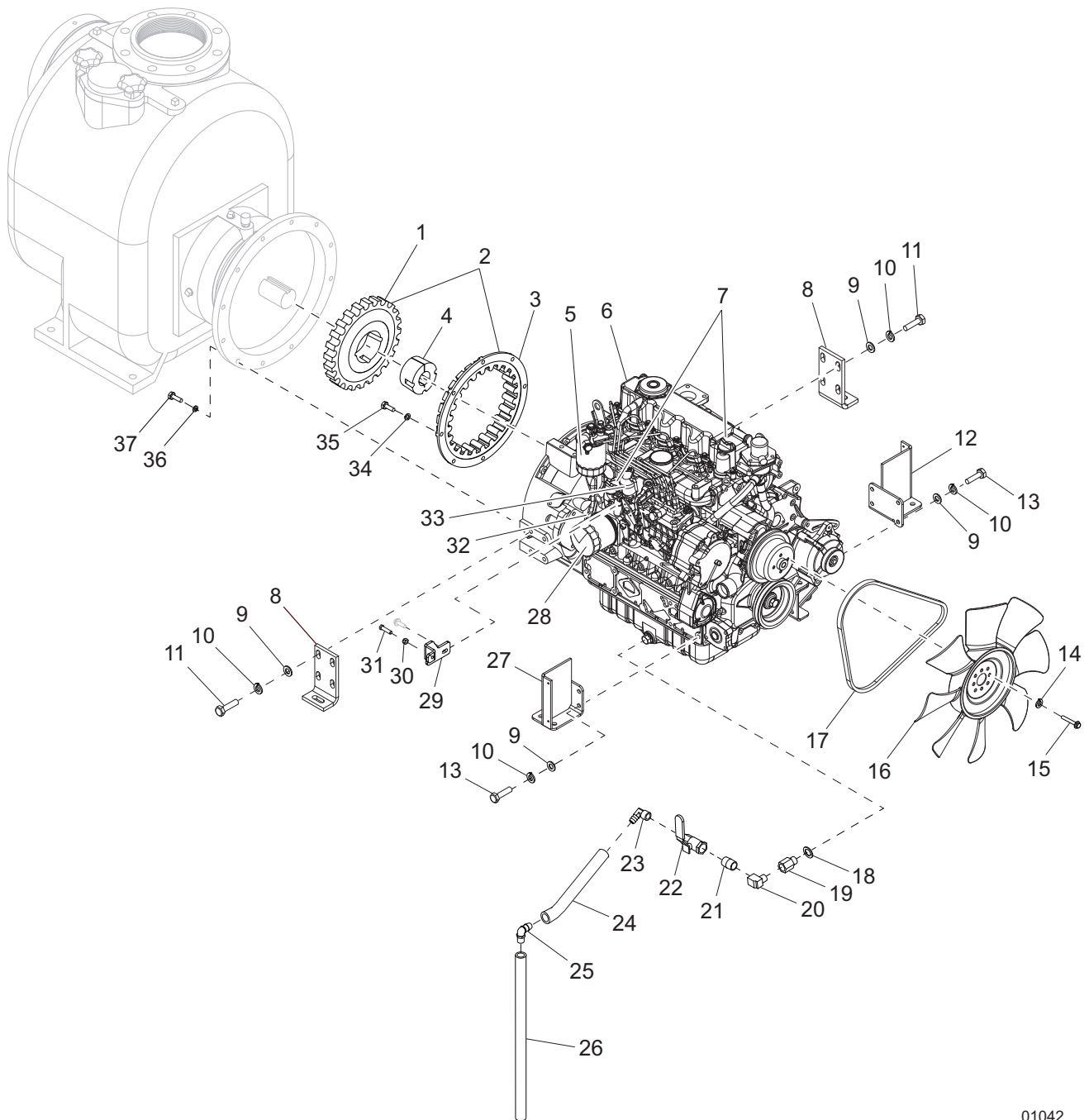


01076

ENGINE AND PUMP TO SKID

Item	Part No.	Qty	Description	Notes
1	60240	4	Nut, .625-11 nylock, G5	
2	60180	6	Washer, .625 flat 1.75/.10-.16	
3	62221	24	Nut, .500-13 nylock, G5	
4	60309	52	Washer, .500 flat 1.060/.090	
5	33454B	1	Weldment, engine/pump support - left	
6	60388	26	Screw, .500-13 x 1.50 std hex, G5	
7	33516B	1	Bracket, engine support - front	
8	60205	8	Screw, .375-16 x 1.0 std hex, G5	
9	22788	2	Isolator, rubber - 470 lbs	
10	60358	8	Nut, .375-16 nylock, G5	
11	18085	2	Washer, .510 snub 2.0/.130	
12	61094	2	Screw, .500-13 x 3.50 std hex, G8	
13	33496B	1	Weldment, engine support	
14	60239	2	Screw, .625-11 x 5.00 std hex, G5	
15	18086	2	Washer, .650 snub 2.250/.180	
16	33477B	1	Weldment, pump support	
17	18084	2	Isolator, rubber - 840/560 lbs	
18	61070	2	Screw, .625-11 x 2.750 std hex, G5	
19	60479	2	Screw, .250-20 x 1.0 sflg hex, G5	
20	33458B	1	Weldment, engine/pump support - right	
21	13278	1	Pump, fuel - electric, Kubota	
22	60161	2	Nut, .250-20 sflg, G5	
23	60777	2	Clamp, hose - .312 fuel hose, crimp style	
24	50018	2.83 ft	Hose, fuel - .312 ID, 50 psi, SAE 30R7	

ENGINE ASSEMBLY - RIGHT SIDE



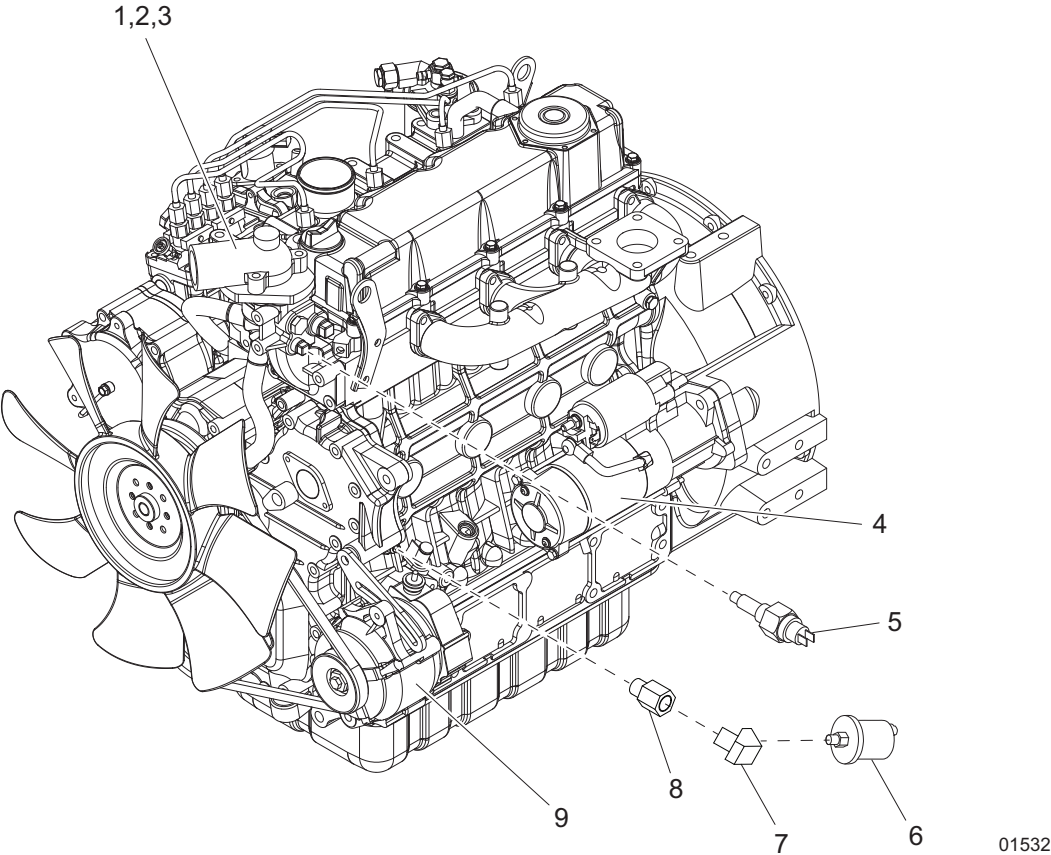
01042

ENGINE ASSEMBLY - RIGHT SIDE

Item	Part No.	Qty	Description	Notes
1	41192	1	Coupling, rubber driver	
2	41193	1	Coupling, flywheel ring/rubber driver	Set (items 2 & 4)
3	41191	1	Coupling, flywheel ring	
4	49685	1	Bushing, hub 1.88	
5	32745	1	Filter, fuel	
6	49914	1	Engine, Kubota V3600E3BKEA3	
7	27473	2	Cap, oil fill - Kubota	
8	49819B	2	Bracket, engine support	
9	60309	28	Washer, .500 flat 1.060/.090	
10	60276	16	Washer, .500 split lock	
11	63186	8	Screw, .500-13 x 1.25 std hex, G5	
12	31035B	1	Weldment, engine mount - left	
13	63076	8	Screw, M12-1.25 x 30 std hex, G10.9	
14	60029	4	Washer, M8 split lock	
15	61204	4	Screw, M8-1.25 x 20 std hex G10.9	
16	32740	1	Fan, cooling	
17	32741	1	Belt, fan	
18	19467	1	Seal, M22	
19	19307	1	Fitting, strt - .500FNPT x M22 x 1.50	
20	60998	1	Fitting, 90° - .500MNPT x .500FNPT, brass	
21	60438	1	Fitting, nipple, pipe - .500NPT x close	
22	60985	1	Valve, ball .500FNPT pad-locking	
23	61014	1	Fitting, 90° - .500 MNPT x .625 barb, brass	
24	50201	1.25 ft	Hose, .625 horizon, 200 psi, class A	
25	63293	1	Fitting, 90° - .625 barb x .625 barb	
26	50201	1.33 ft	Hose, .625 horizon, 200 psi, class A	
27	31034B	1	Weldment, engine mount - right	
28	27407	1	Filter, oil	
29	32043B	1	Weldment, RPM limiting screw	
30	60284	1	Nut, .250-20 hex, G2	
31	60409	1	Screw, M6-1.0 x 45 std hex, G8.8	
32	27472	1	Dipstick	
33	32788	1	Solenoid, shutdown	
34	60206	8	Washer, .375 split lock	
35	60205	8	Screw, .375-16 x 1.0 std hex, G5	
36	60026	12	Washer, M10 split lock	
37	60215	12	Screw, M10-1.50 x 35 std hex, G8.8	

Note: Engine and generator parts used in all Generac Mobile Products equipment carry the Original Equipment Manufacturer (OEM) warranty unless otherwise stated. OEM warranty parts must be purchased through an OEM dealer. Please contact Generac Mobile Products with questions. Some Kubota engine parts are serial number specific. Please contact **Kubota Engine America Corp.** or the Generac Mobile Product Technical Service Department at 1-800-926-9768 for information regarding engine parts.

ENGINE ASSEMBLY - LEFT SIDE

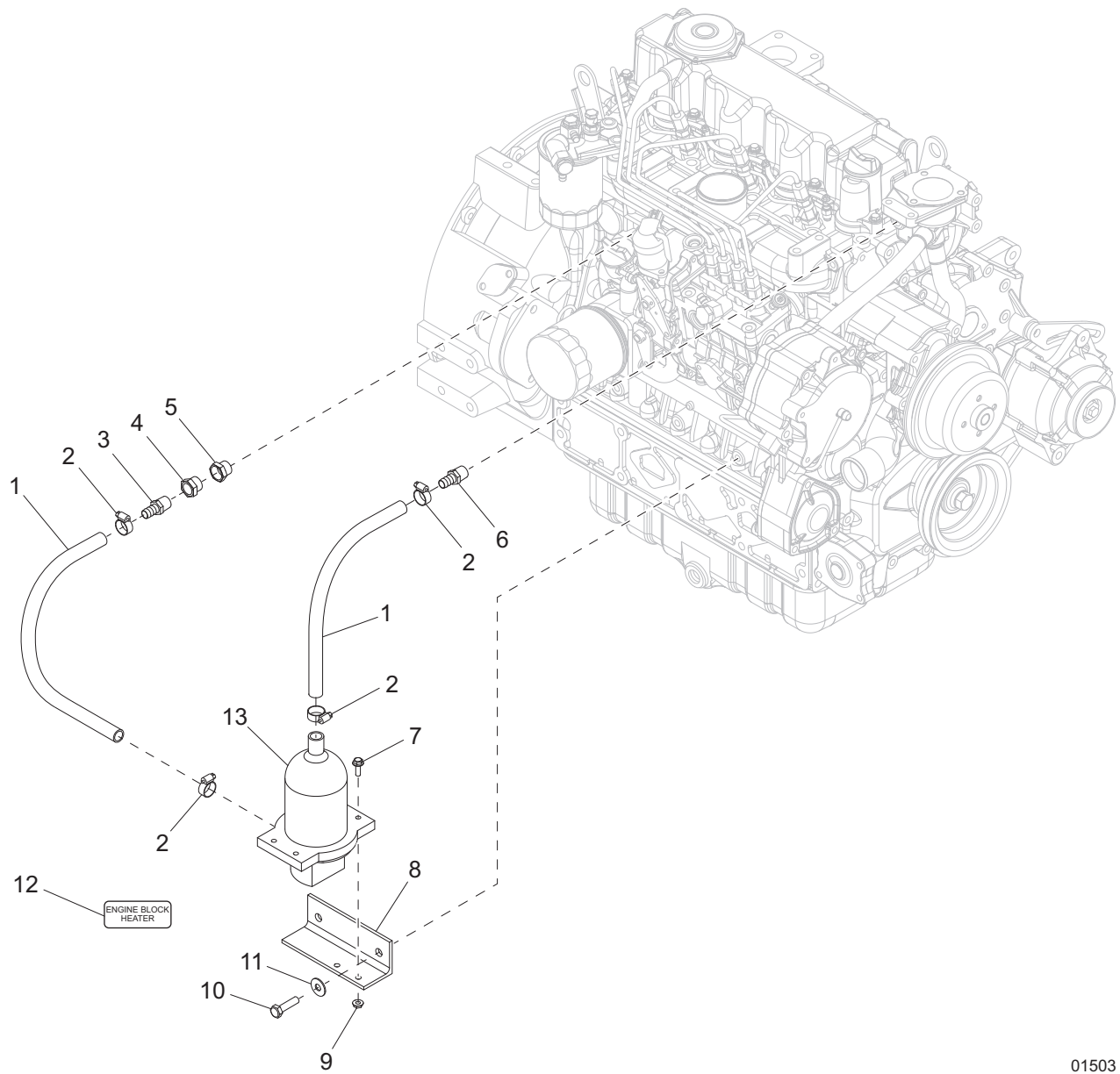


ENGINE ASSEMBLY - LEFT SIDE

Item	Part No.	Qty	Description	Notes
1	27223	1	Coolant outlet port	
2	28979	1	Thermostat	Inside the coolant outlet port
3	33253	1	Gasket, thermostat housing	Under the coolant outlet port
4	32742	1	Starter	
5	32040	1	Sender, temperature - .375NPT (250°)	
6	30242	1	Sender, oil - .125NPT, 150 psi	
7	22331	1	Fitting, 45° .125MNPT x .125FNPT, brass	
8	27438	1	Fitting, strt - .125FNPT x .125-28MBST	
9	32743	1	Alternator	

Note: Engine and generator parts used in all Generac Mobile Products equipment carry the Original Equipment Manufacturer (OEM) warranty unless otherwise stated. OEM warranty parts must be purchased through an OEM dealer. Please contact Generac Mobile Products with questions. Some Kubota engine parts are serial number specific. Please contact **Kubota Engine America Corp.** or the Generac Mobile Products Technical Service Department at 1-800-926-9768 for information regarding engine parts.

HOTSTART KIT OPTION

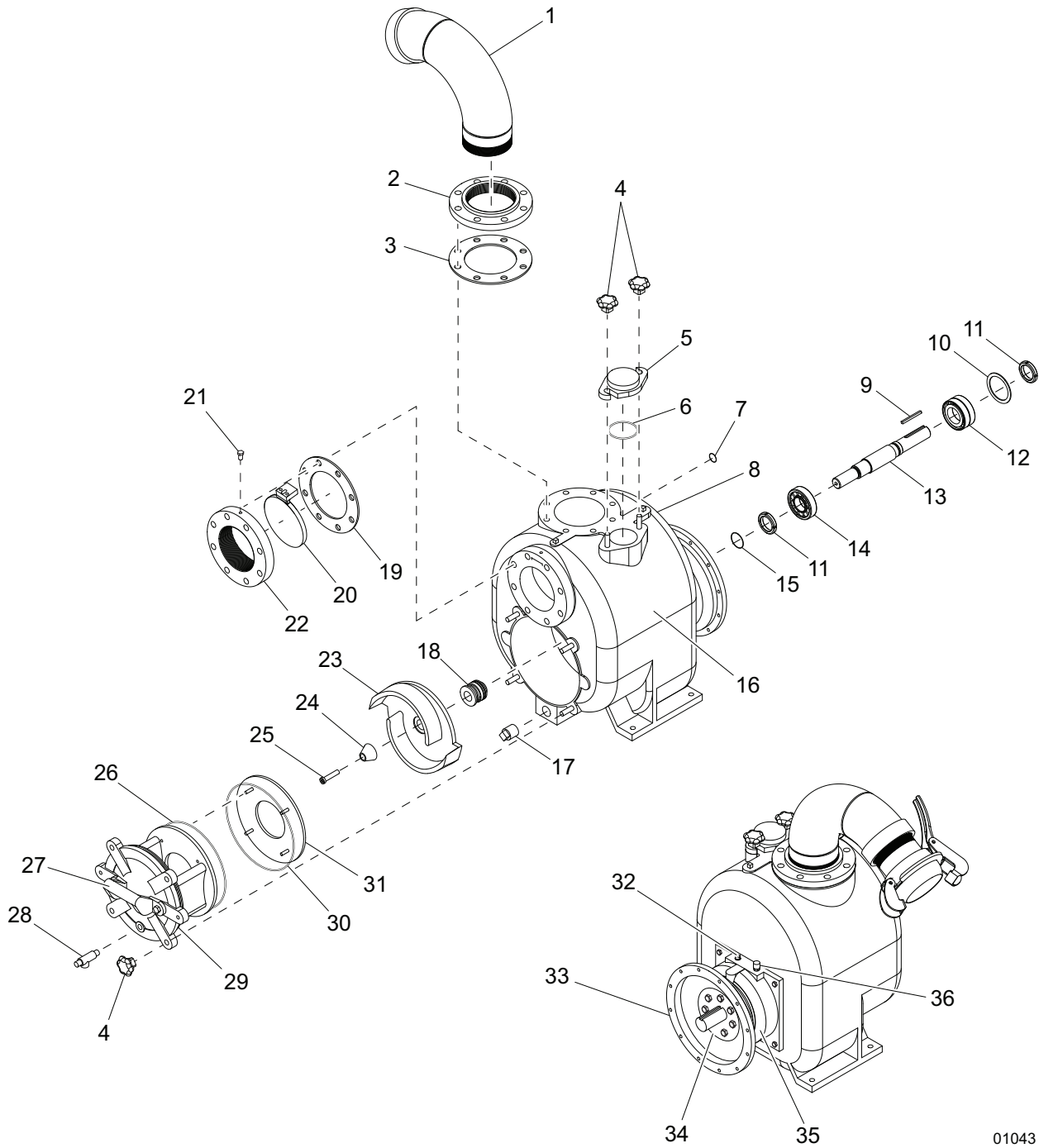


01503

HOTSTART KIT OPTION

Item	Part No.	Qty	Description	Notes
1	50201	2.16 ft	Hose, .625, 200 psi, class A	
2	60365	4	Clamp, hose - SAE 010 (.56-1.06)	
3	60502	1	Fitting, strt - .500MNPT x .625 barb, brass	
4	61161	1	Fitting, bushing - .750MNPT x .500FNPT, brass	
5	24006	1	Fitting, strt - 1.0MNPT x .750FNPT	
6	25931	1	Fitting, strt - .375NPT x .625 barb	
7	60479	2	Screw, .250-20 x 1.0 sflg hex, G5	
8	32803B	1	Bracket, block heater	
9	60161	2	Nut, .250-20 sflg, G5	
10	60422	2	Screw, M10-1.25 x 25 std hex, G8.8	
11	60386	2	Washer, .275 flat .993/.064	
12	28964	1	Decal, engine block heater	
13	25914	1	Heater, coolant	

PUMP ASSEMBLY

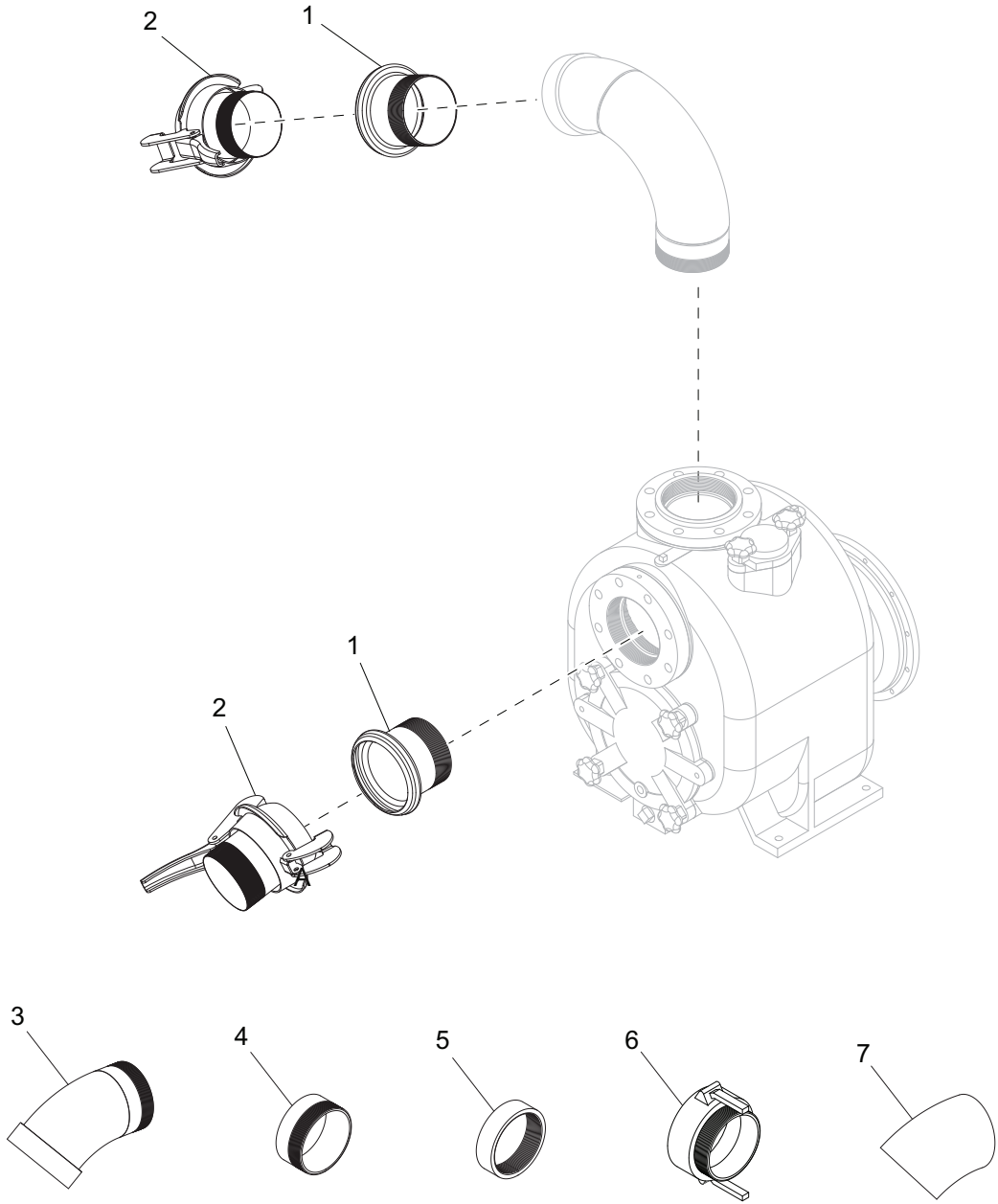


01043

PUMP ASSEMBLY

Item	Part No.	Qty	Description	Notes
1	41317B	1	Weldment, pump outlet tube	
2	41306B	1	Discharge flange	
3	41061	1	Gasket, pump flange	
4	41208B	6	Hand knob	
5	41209B	1	Prime fill cover	
6	41210	1	Gasket, prime fill cover	
7	30859	1	O-ring, seal flush	
8	49192B	1	Pump, trash - 6 in. Pioneer ES6	
9	41579	1	Key, shaft	
10	41873	1	Snap ring	
11	41872	2	Seal, lip	
12	30860	1	Bearing	
13	43667	1	Shaft	
14	43665	1	Bearing	
15	41892	1	O-ring	
16	43676BW	1	Volute	
17	60988	1	Plug, 1.00 NPT square drive	
18	41219	1	Seal assembly	
19	43680	1	Gasket, suction flange	
20	41218	1	Flapper, check valve	
21	41893	1	Pin, check valve	
22	41225B	1	Suction flange	
23	41220	1	Impeller	
24	41883	1	Impeller washer	
25	41882	1	Impeller screw	
26	49289	2	O-ring	
27	43674	1	Handle, inspection cover	
28	41216	1	Valve, relief	
29	43682	1	Cover, inspection	
30	43681	1	O-ring, inspection cover	
31	41221	1	Wear plate	
32	41870	1	Seal, vent plug	
33	30862	1	Bracket, SAE 4	
34	43668	1	Bearing cap	
35	43679	1	Bearing housing	
36	41871	1	Vent, bearing housing	
--	49500	1	Sight glass - .75NPT	
--	43677	1	Plate seal	
--	43670	1	Gasket, bearing cap	
--	43675	1	Shim kit - impeller	
--	49851	1	Gasket, seal seat - ES6	
--	41889	1	O-ring, seal sleeve	

INLET AND OUTLET FITTING OPTIONS

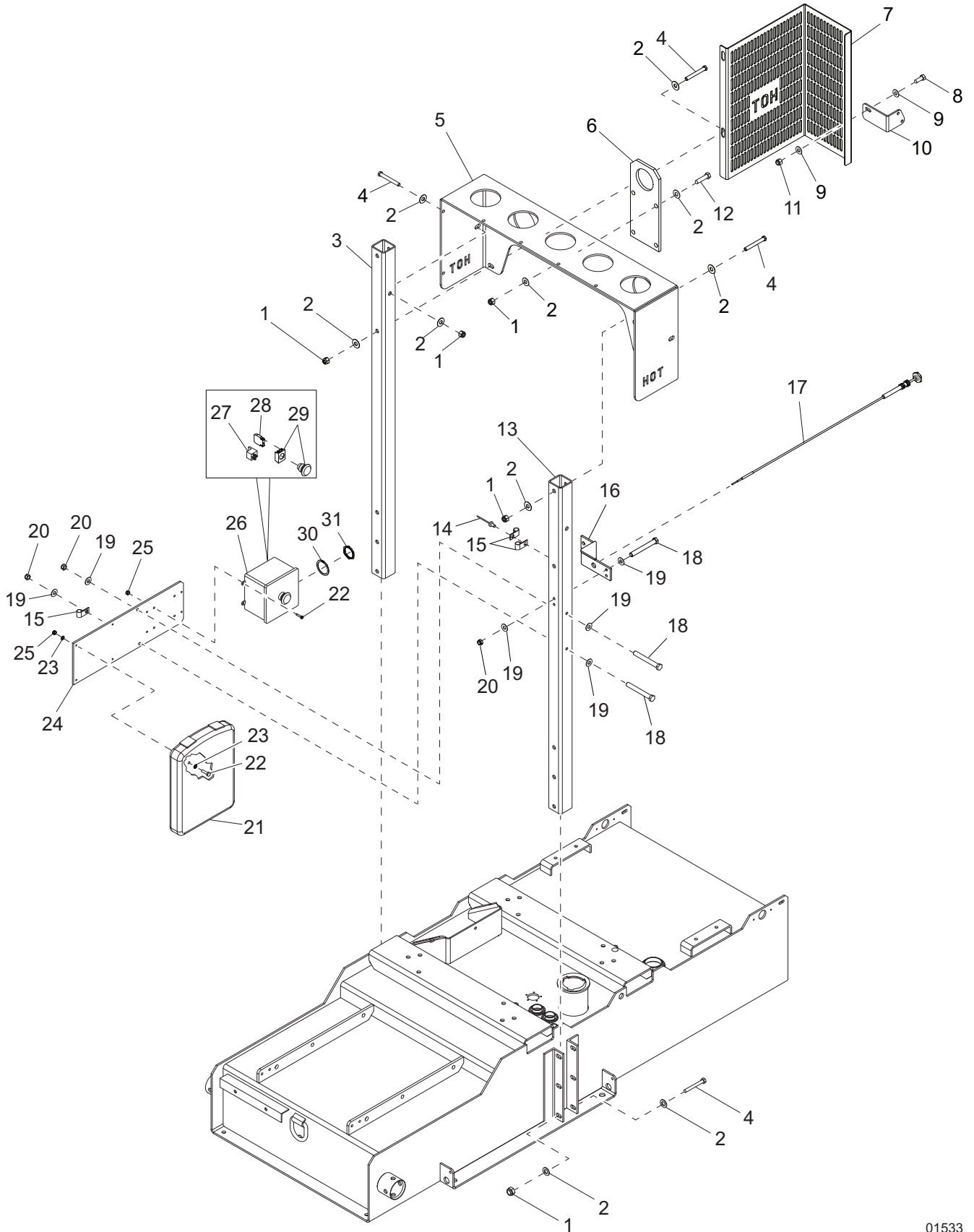


01673

INLET AND OUTLET FITTING OPTIONS

Item	Part No.	Qty	Description	Notes
1	41327	1	Socket, 6.0 x 6.0NPT	
2	41325	1	Ring, ball and lock - 6.0 x 6.0NPT	
3	41556B	1	Weldment, pump fitting - 6.0NPT	
4	41342	1	Fitting, nipple, pipe - 6.0NPT x 3.0	
5	41341	1	Coupler, pipe - 6.0NPT	
6	41329	1	Coupler, cam and groove, 6.0 female x 6.0NPT	
7	41555	1	Tube. 6.0 - 45° elbow	
--	41587	1	Coupler, cam and groove, 6.0 male x 6.0NPT	

LIFT STRUCTURE ASSEMBLY

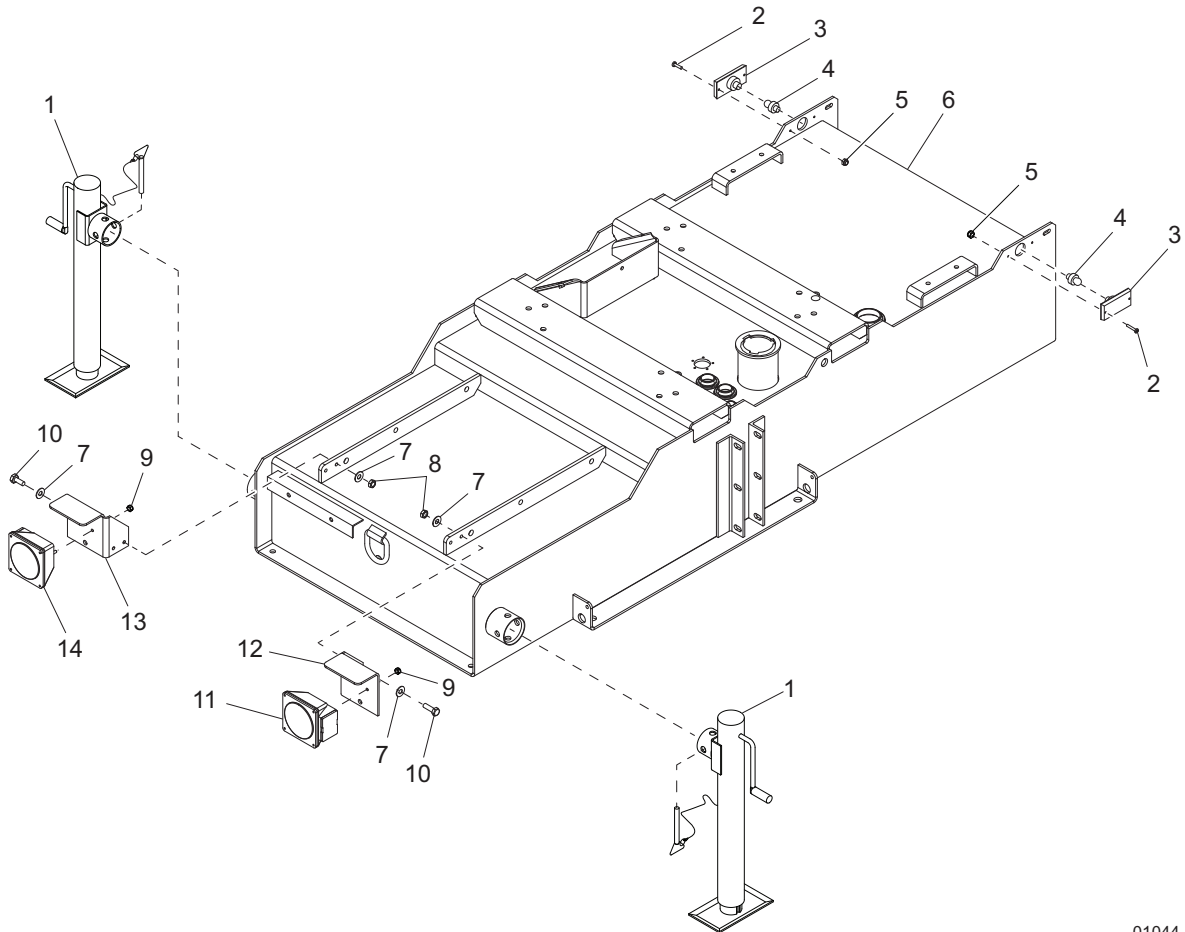


01533

LIFT STRUCTURE ASSEMBLY

Item	Part No.	Qty	Description	Notes
1	62221	14	Nut, .500-13 nylock, G5	
2	60309	28	Washer, .500 flat 1.060/.090	
3	41301B	1	Tube, lift support	
4	50215	12	Screw, .500-13 x 4.0 std hex, G5	
5	41068R	1	Bracket, lift support	
6	41080B	1	Bracket, lift eye	
7	30946R	1	Plate, heat shield	
8	60205	2	Screw, .375-16 x 1.0 std hex, G5	
9	60119	18	Washer, .312 flat .875/.070	
10	30950B	1	Bracket, heat shield	
11	60358	5	Nut, .375-16 nylock, G5	
12	60484	4	Screw, .500-13 x 2.0 std hex, G5	
13	41108B	1	Tube, lift support	
14	60195	2	Rivet, .188 dia x .375 to .500 grip	
15	15627	3	Clamp, tubing - .625 heavy duty	
16	32030B	1	Weldment, throttle cable	
17	41165	1	Cable, push/pull throttle	
--	60962	1	Yoke, 10-32 - female, w/.188 pin	
18	60860	4	Screw, .312-18 x 3.5 std hex, G5	
19	60243	8	Washer, .250 flat .735/.060	
20	60303	6	Nut, .312-18 nylock, G2	
21	24540	1	Holder, manual	
22	60062	8	Screw, 10-32 x .750 pan phil, G2	
23	60237	8	Washer, #10 flat .495/.036	
24	32220B	1	Bracket, manual box/E-stop	
25	60061	8	Nut, 10-32 nylock	
26	49552	1	Box, E-stop	
27	66455	1	Relay, 12V/70A NC/80A NO - w/diode	
--	60398	1	Screw, 10-32 x .500 pan phil, SS	Attaches item 27 to box
--	61045	5	Nut, 10-32 sflg	Attaches item 27 to box
28	65472	1	Block, E-stop contactor – NC/NO	
29	65470	1	Switch, E-stop operator	
--	33122	1	Assembly, E-stop box	Includes items 19, 22-23, 25-27, 29- 31
30	65417	1	Washer, lock Deutsch HDP series	
31	65416	1	Nut, Deutsch HDP series	
--	33123	1	Harness, E-stop	

SKID ASSEMBLY



01044

SKID ASSEMBLY

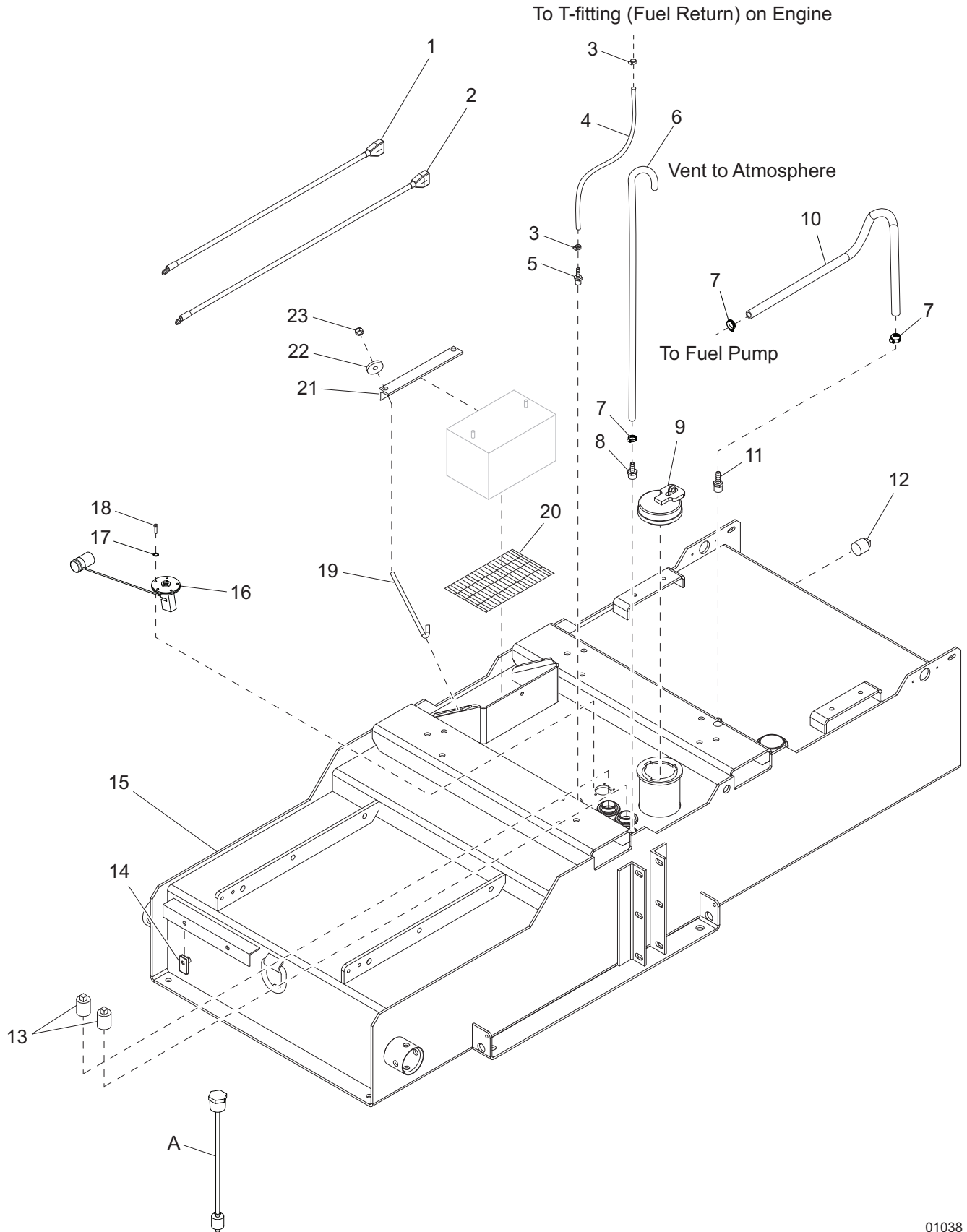
Item	Part No.	Qty	Description	Notes
1	41133	2	Jack, side wind - 2000 lb, tube mounted	
2	60406	4	Screw, 8-32 x 1.0 pan phil, G2	
3	66373	2	Light, clearance marker, lens - amber	
4	65661	2	Light, clearance marker, bulb	
5	60270	4	Nut, 8-32 nylock, class 6	
6	<i>Page 28</i>	1	Weldment, fuel tank/chassis	
7	60119	8	Washer, .312 flat .875/.070	
8	60303	4	Nut, .312-18 nylock, G2	
9	60144	4	Nut, .250-20 nylock, G5	
10	62001	4	Screw, .312-18 x 1.250 std hex, G5	
11	65449	1	Light, stop/turn/tail - left	
12	41102B	1	Bracket, tail light mounting - left	
13	41101B	1	Bracket, tail light mounting - right	
14	65448	1	Light, stop/turn/tail - right	
--	41123	1	Harness, trailer light	
--	15627	4	Clamp, tubing - .625 heavy duty	
--	60195	5	Rivet - .188 dia x .375 to .500 grip	

OPTIONAL FEATURES

Trailer Lights:

--	65448	1	Light, stop/turn/tail, waterproof
--	65449	1	Light, stop/turn/tail, waterproof w/license plate light
--	49626	1	Light, stop/turn/tail, waterproof - LED
--	49627	1	Light, stop/turn/tail, waterproof, w/license plate light - LED

FUEL TANK ASSEMBLY



01038

FUEL TANK ASSEMBLY

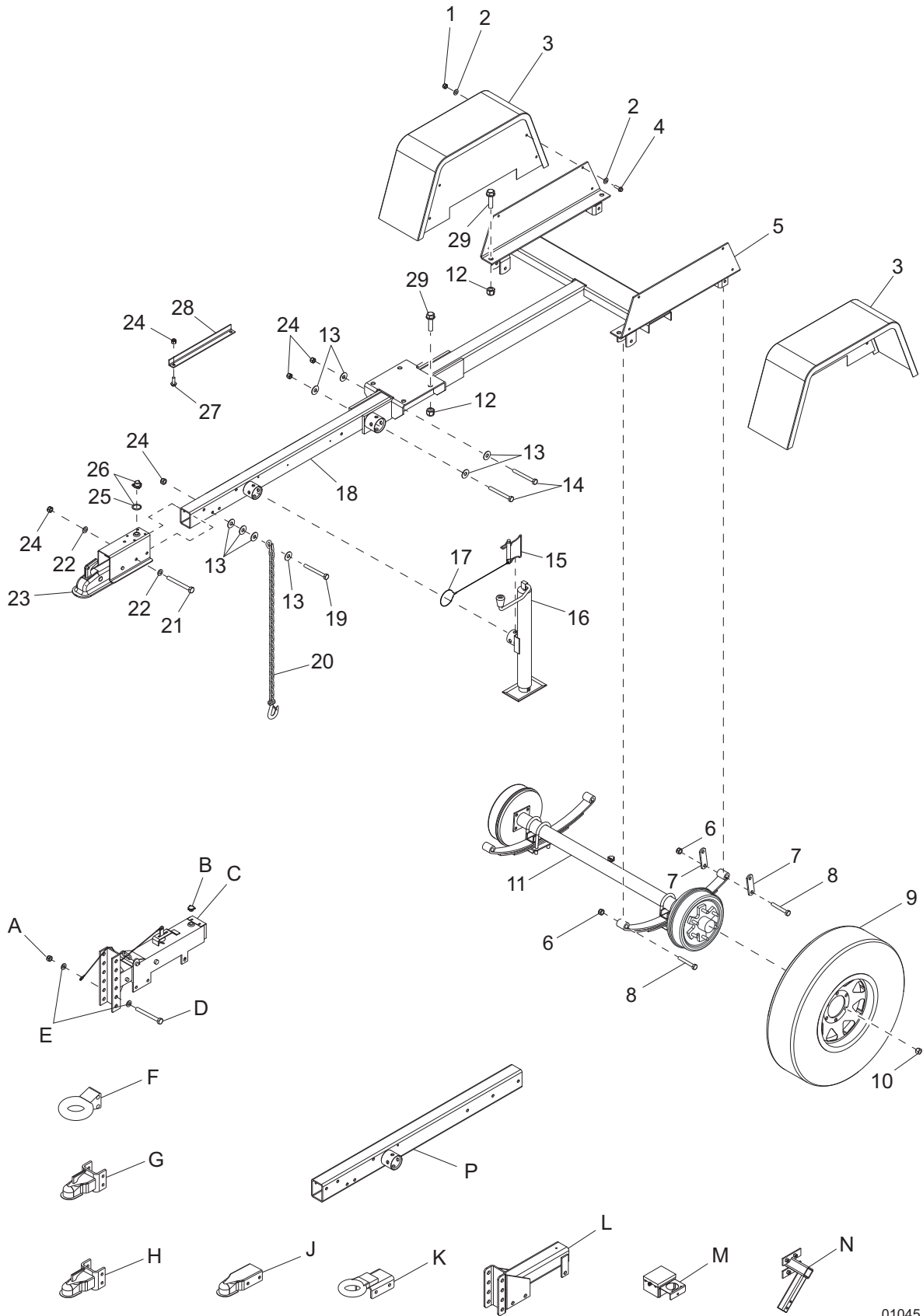
Item	Part No.	Qty	Description	Notes
1	25547	1	Cable, battery - 16 in. 2GA red, 3/8 in. lug	
2	32283	1	Cable, battery - 19 in. 2GA black, 1/2 in. lug	
3	63192	2	Clamp, - .464 crimping band	
4	14211	3.0 ft	Hose, fuel - .188 ID, 50 psi, SAE 30R7	
5	17896	1	Fitting, strt - .250NPT x .188 barb	Apply loctite to threads
6	50343	3.16 ft	Hose, fuel - .312 ID x .562 OD, 60 psi, clear vinyl	
7	60777	3	Clamp, hose - .312 fuel hose, crimp style	
8	60999	1	Fitting, strt - .500MNPT x .312 barb, brs	Apply loctite to threads
9	23707	1	Cap, fuel fill - 3.50 in	
10	50018	2.33 ft	Hose, fuel - .312 ID, 50 psi, SAE 30R7	
11	15142	1	Fitting, strt - .250NPT x .312 barb	Apply loctite to threads
12	60498	1	Fitting, plug - .750NPT square drive	Apply loctite to threads
13	60988	2	Fitting, plug - 1.0NPT square drive	
14	61147	2	Nut, .312-18 U-clip, G5	
15	41278B	1	Weldment, fuel tank/chassis	
16	20571	1	Sender, fuel - 10-15 in. tank	
17	60252	5	Washer, #10 split lock	
18	60156	5	Screw, M5-0.80 x 16 pan phil, G4.8	
19	60984	2	J-bolt - .250-20 x 7.0 w/nut	
20	41185	1	Battery pad - 6.0 x 10.0 in	
21	41055B	1	Bracket, battery tie-down	
22	60243	2	Washer, .250 flat, .735/.060	
23	60144	2	Nut, .250-20 nylock, G5	

OPTIONAL FEATURES

Low Fuel Warning Shutdown:

A	65804	1	Switch, float - 12.25 in. OAL, 11.25 NO
--	49858	1	Harness, low fuel
--	30785	1	Program, controller - fuel shutdown

TRAILER ASSEMBLY



01045

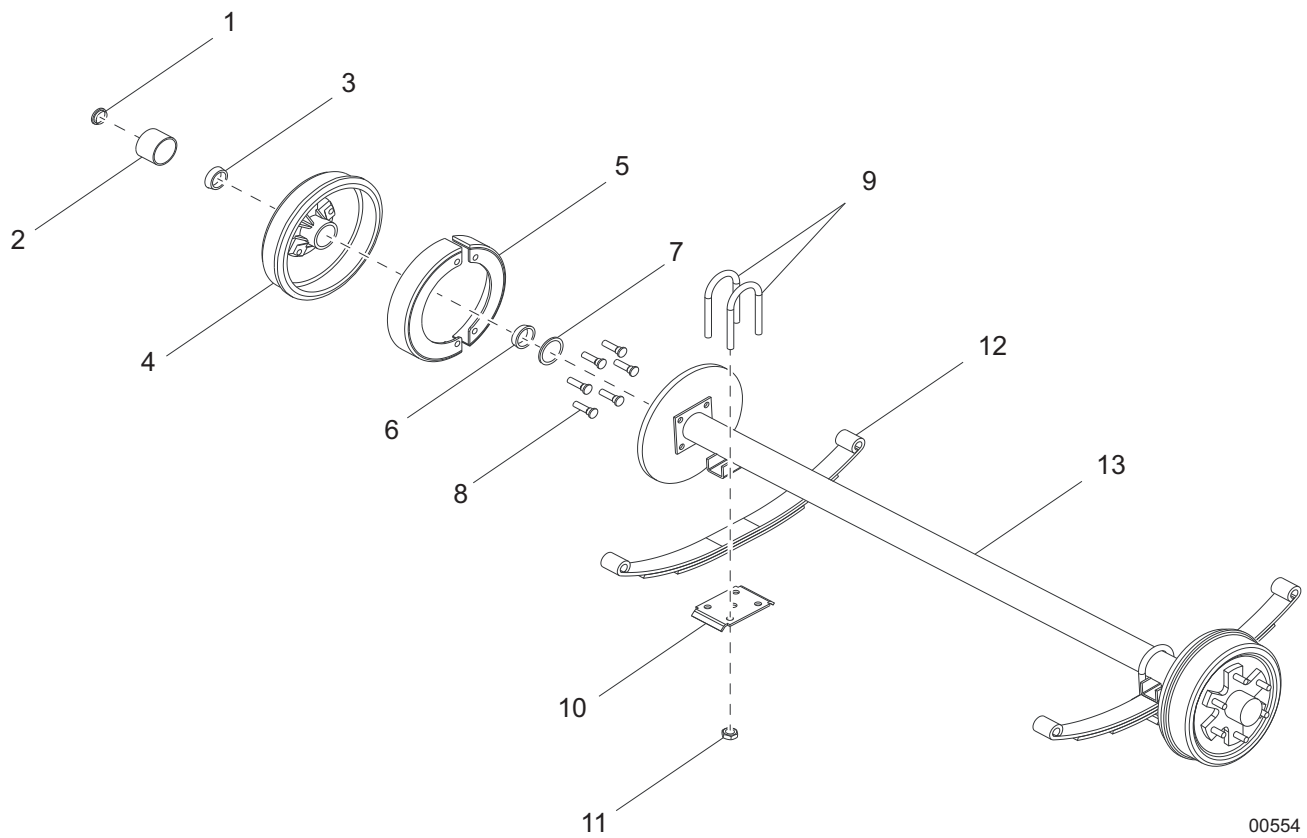
TRAILER ASSEMBLY

Item	Part No.	Qty	Description	Notes
1	60358	8	Nut, .375-16 nylock, G5	
2	60698	16	Washer, .375 flat .875/.040, SS	
3	22743B	2	Fender, single wheel	
4	61036	8	Screw, .375-16 x 1.250 std hex, SS	
5	24811B	1	Weldment, trailer chassis	
6	60504	6	Nut, .562-18 locking hex, G5	
7	19637	4	Plate, shackle bracket	
8	60503	6	Screw, shackle .562-18 x 3.0 std hex, G5	
9	18377	2	Wheel, ST225/75R15	
10	60096	12	Nut, .500-20 wheel lug, G5	
11	Page 32	1	Axle, 5000 lb - hydraulic	
12	60240	6	Nut, .625-11 nylock, G5	
13	60416	14	Washer, .500 flat 1.375/.090	
14	61104	3	Screw, .500-13 x 5.50 std hex, G8	
15	23256	1	Pin, jack - tube mounted	
16	13051	1	Assembly, jack, 2000 lb - top wind, tube mounted	
17	12647	1	Cable, tether - jack pin and ground rod cover	
18	24812B	1	Weldment, tongue - flip non-adj actuator	
19	60376	2	Screw, .500-13 x 4.50 std hex, G5	
20	23367	2	Chain, safety - 7800 lbs rated	
21	61099	2	Screw, .500-13 x 5.0 std hex, G8	
22	60309	4	Washer, .500 flat 1.060/.090	
23	24304	1	Actuator, hyd surge brake - 2 in. ball, 6000 lb	
24	62221	8	Nut, .500-13 nylock, G5	
25	41762	1	O-ring, 24mm	Included with item 26
26	49373	1	Assembly, master cylinder cap	
27	61103	1	Screw, .500-13 x 1.750 sflg hex	
28	24691B	1	Brace, tongue shipping	
29	61078	6	Screw, .625-11 x 2.0 flg hex, G8	

OPTIONAL FEATURES

A	60240	4	Nut, .625 - 11 nylock
B	49373	1	Assembly, master cylinder cap
C	40529	1	Actuator, hyd surge brake - adj
D	60239	4	Screw, .625 - 11 x 5.0 std hex, G5
E	60180	6	Washer, .625 flat 1.750/.10-.16
F	19335B	1	Coupler, lunette ring - 3 in. adj
G	19519	1	Coupler, 2.31 in. ball
H	19518	1	Coupler, 2 in. ball for adj hitch
J	15103	1	Coupler, 2 in. ball/3 in. channel
K	11032	1	Weldment, lunette ring - 3 in
L	19379B	1	Weldment, hitch electric - 4 position adj.
M	19417	1	Breakaway kit
N	12235B	1	Weldment, spare tire holder
P	30931B	1	Weldment, tongue - w/support plate

AXLE ASSEMBLY



00554

AXLE ASSEMBLY

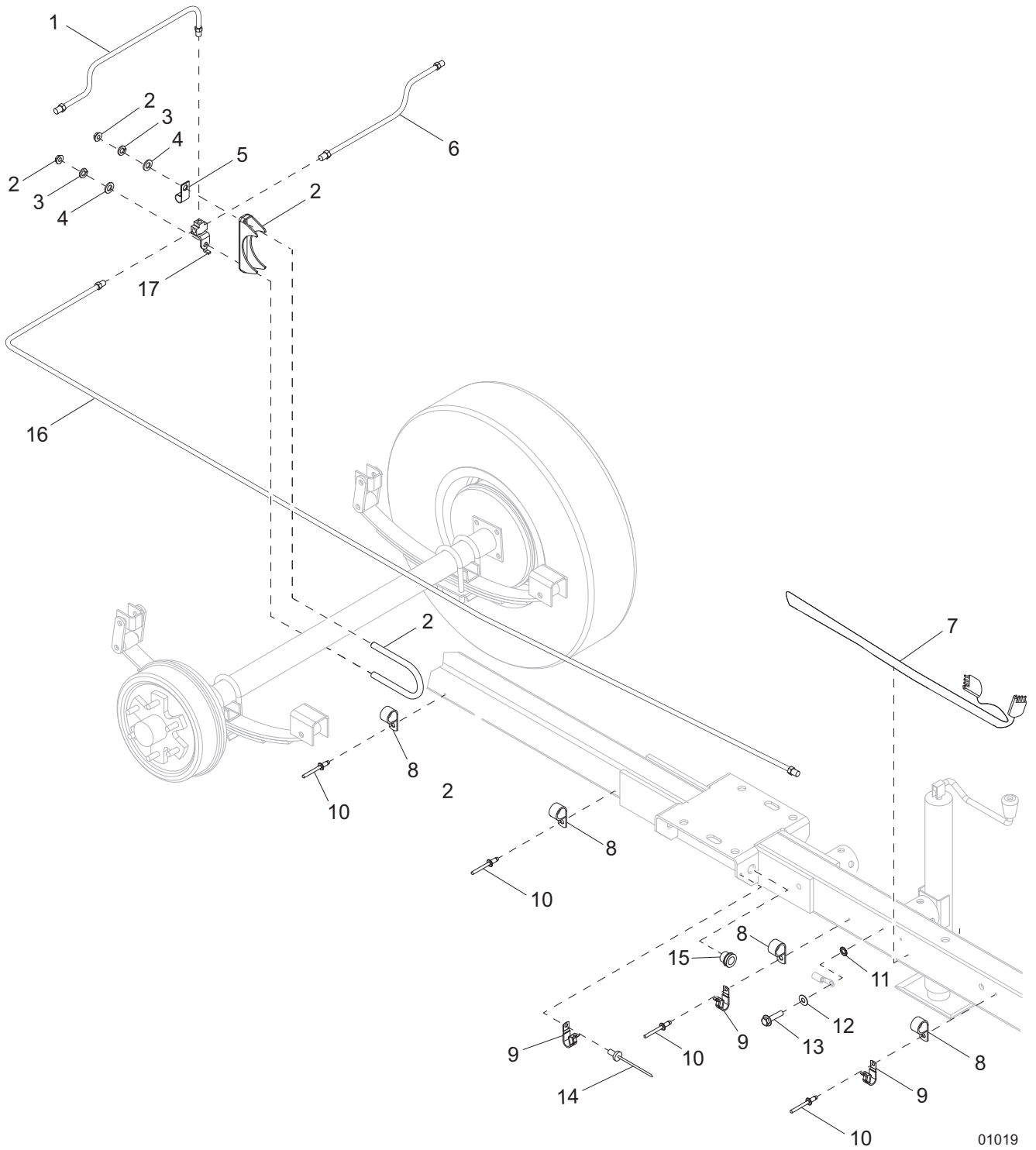
Item	Part No.	Qty	Description	Notes
1	11254	2	Plug, grease cap - zerk	
2	23170	2	Cap, grease	
3	24831	2	Roller bearing - outer	
4	26452	2	Assembly, brake drum - 12 in. 6 holes on 5.5 in	
5	26571	1	Assembly, surge free-backing brake - left	
	26572	1	Assembly, surge free-backing brake - right	
6	24830	2	Roller bearing - inner	
7	24832	2	Bearing seal - 5000 lb	
8	60963	12	Stud, .wheel - .500-20, 5000 lb	
9	40875	4	U-bolt, axle	
10	40874	2	Tie plate, axle	
11	26441	8	Nut, U-bolt 1/2-20, plated	
12	23912	2	Spring, axle - 5000 lb	
13	22877	1	Axle, hydraulic - 5000 lb	
--	24796	1	Assembly, axle, 5000 lb - hydraulic	

OPTIONAL FEATURES

Axles:

--	22876	1	Axle, 5000 lb - electric	
----	-------	---	--------------------------	--

TRAILER BRAKE LINES



01019

TRAILER BRAKE LINES

Item	Part No.	Qty	Description	Notes
1	40495	1	Line, brake - .188 x 20.0	
2	61064	1	Clamp, muffler - 3.0 light duty	U-bolt & saddle
3	60341	2	Washer, split lock, SS	
4	60166	2	Washer, M8 flat	
5	61010	1	Clamp, tubing - .375 heavy duty	
6	40494	1	Line, brake - .188 x 30.0	
7	67856	1	Harness, trailer extension - 100 in	
8	16143	3	Clamp, tubing - .500	
9	15626	7	Clamp, tubing - .375 light duty	
10	60231	6	Rivet, .188 dia x .375 to .500 grip	
11	60053	1	Washer, .375 ext star	
12	60698	1	Washer, .375 flat .875/.040, SS	
13	60353	1	Screw, .375-16 x 1.0 flg hex, G2, self tapping	
14	30917	1	Rivet, .250 dia x .375 to .500 grip	
15	22340	2	Fitting, bushing - 1.0 OD x .750 ID	
16	24688	1	Hose, brake .188 x 136.0 - male/male	
17	19252	1	Fitting, strt - .188 brake line T w/bracket	

RECOMMENDED SPARE PARTS LIST

ENGINE

Alternator, engine.....	32743
Belt, fan	32741
Cable, push/pull throttle.....	41165
Cap, fuel fill.....	23707
Cap, oil fill.....	27473
Cap, radiator - 14.7 psi.....	19219
Cap, overflow jug.....	19714
Dipstick, Kubota	27472
Element, air filter.....	22874
Filter, fuel.....	32745
Filter, oil.....	32744
Flapper, check valve.....	49844
Gasket, thermostat housing - Kubota.....	33253
Hose, radiator - lower.....	30494
Hose, radiator - upper.....	30493
Impeller.....	41220
Jug, overflow - 3.5 qt.....	41958
Pump, fuel.....	13278
Sender, fuel.....	20571
Sender, oil.....	30242
Sender, temperature.....	32040
Assembly, low coolant sensor.....	30942
Solenoid shutdown.....	27407
Starter, engine - Kubota V3600.....	32742
Thermostat - Kubota V3600.....	28979

PUMP

Bushing, hub.....	49685
Coupling, flywheel ring.....	41191
Coupling, rubber driver.....	41192
Lip seal.....	41872
Mechanical seal kit.....	49384

ELECTRICAL

Controller, LOFA 750.....	33705
Relay, 12V/70A.....	66455

TRAILER

Chain, safety.....	23367
Jack, side wind (rear).....	41133
Jack, top wind (tongue).....	13051
Light, clearance marker bulb.....	65661
Light, clearance marker lens - amber.....	66373
Light, stop/turn/tail - right.....	65448
Light, stop/turn/tail - left.....	65449

